

Customer ref.

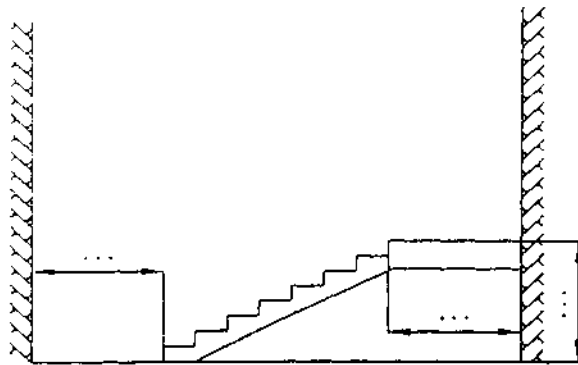
Order No.

Page ... of ...

Flight Nr. _____

- Rail on right hand side (see from bottom)
- Rail on left hand side (see from bottom).

Straight

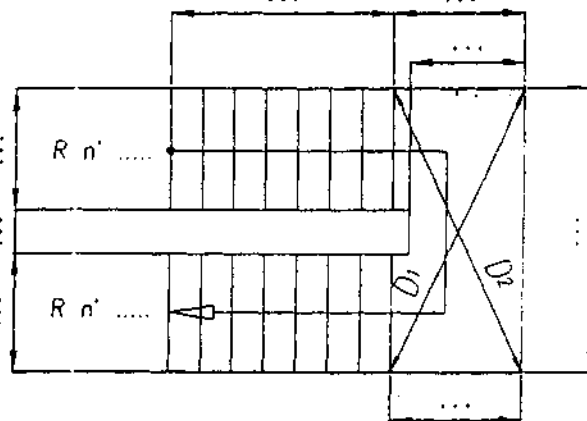
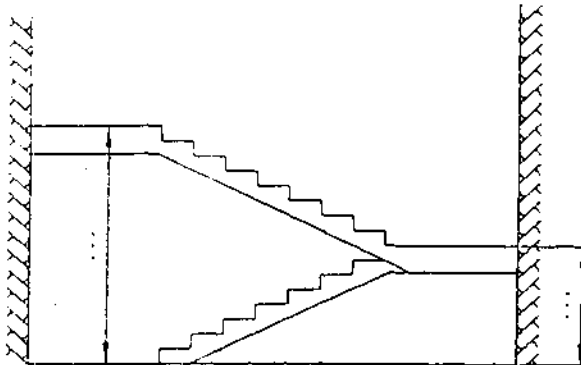


ATTENTION:

if the stair to be measured is not included in the herebelow types, please make a detailed drawing and supply the same kind of information.

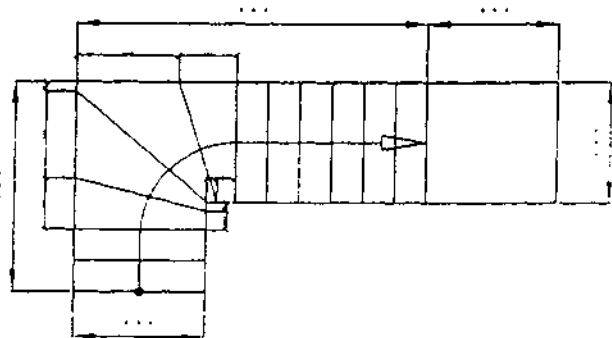
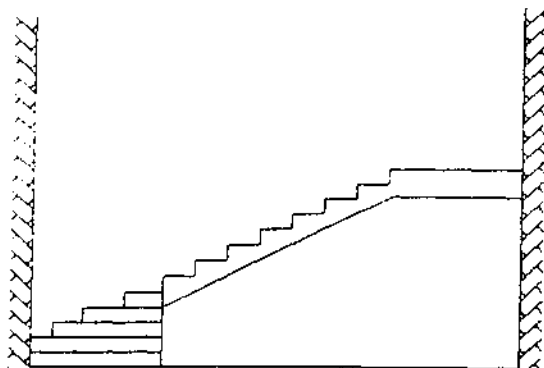
Если вид ступеней не соответствует ни одному из типов, то необходимо сделать подробный чертеж и предоставить такую же информацию.

Parallel flights



D1
D2

Stair with spiral sections

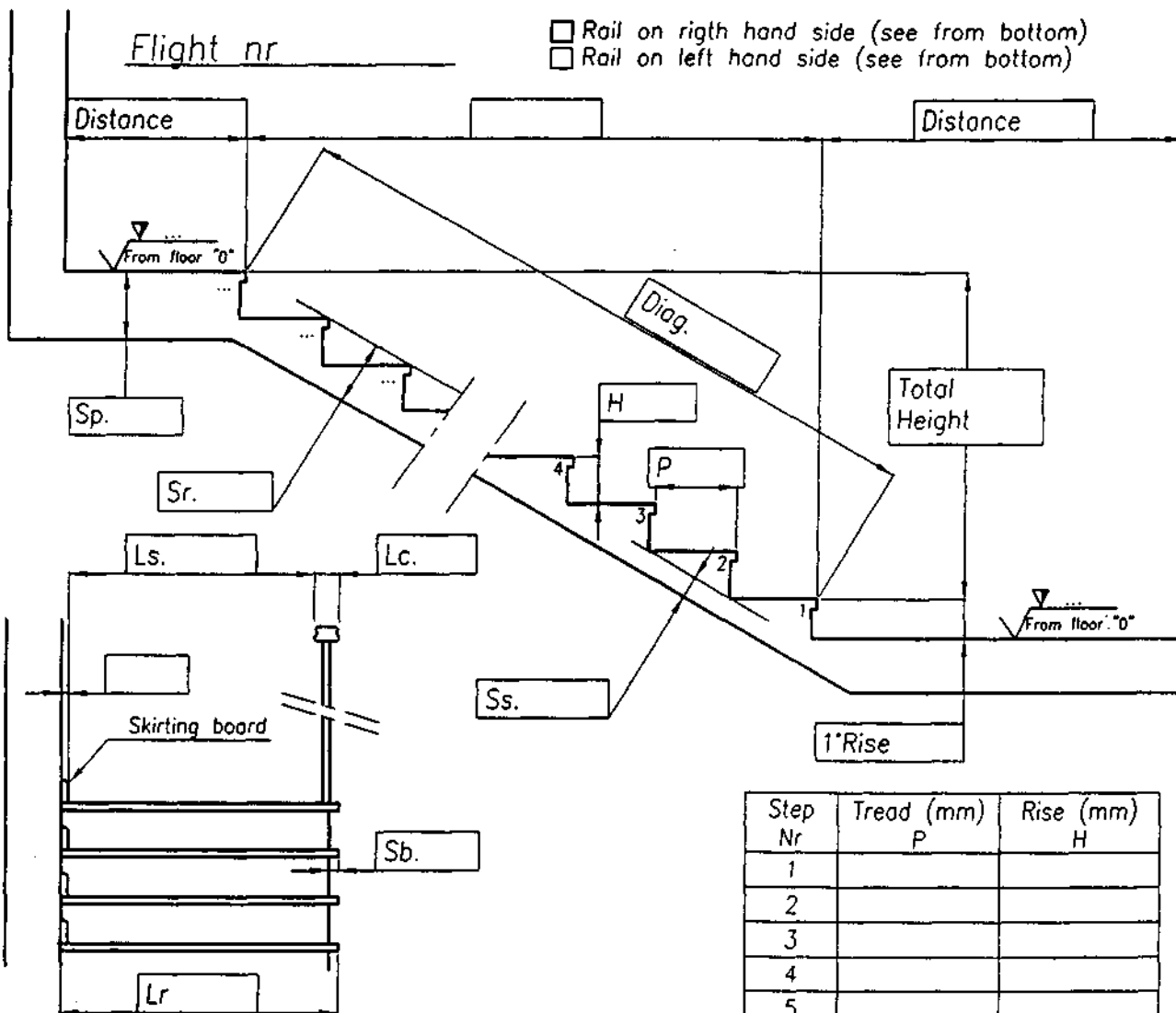


NOTE:

Spiral sections must be measured both inside and outside.

как с внутр. так и с внеш. стороны

Customer ref. Order Nr. Page...../of.....



- Rail on righthand side (see from bottom)
- Rail on lefthand side (see from bottom)

Stair structure:

- Reinforced concrete
- Reinforced tile
- Hollow brick
- Hard brick
- Stone
-

Stair lining:

- Marbre
- Wood
- Baked
- Moquette
- Stone
-

Wall structure:

- Reinforced concrete
- Reinforced tile
- Hollow brick
- Hard brick
- Stone
-

Wall lining:

- Plastering
- Wallpaper
- Matchboard (wood)
- Marbre
-

Is it possible to modify or to remove the handrail?

- Yes
- No

Step Nr	Tread (mm)		Rise (mm)	
	P		H	
1				
2				
3				
4				
5				
6				
7				
8				
9				
10				
11				
12				
13				
14				
15				
16				
17				
18				
19				
20				

NOTE: For a correct projecting of the platformlift, please fill this form.
In case of more flights, use one form for each of them.

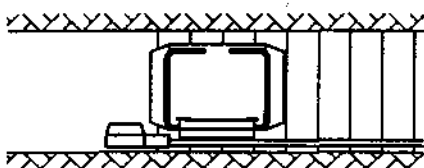
Customer ref.

Order Nr.

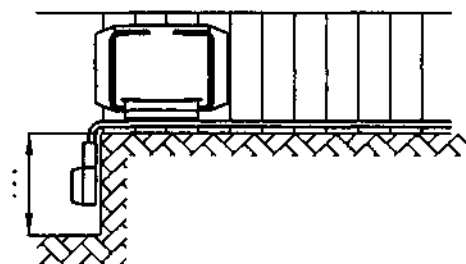
Page...../of.....

Traction group position

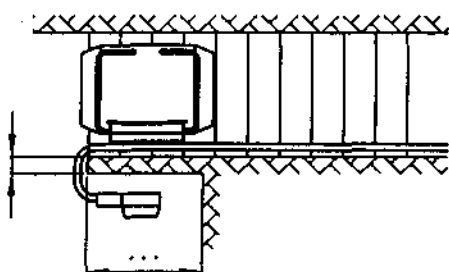
Straight



90°

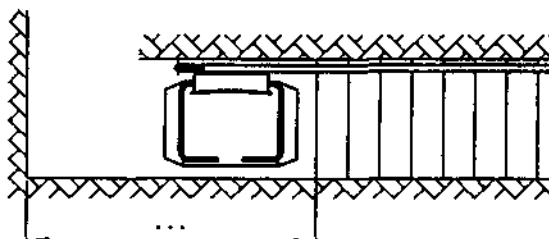


180°

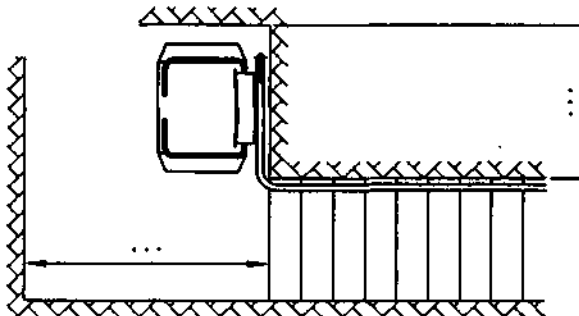


Lower parking

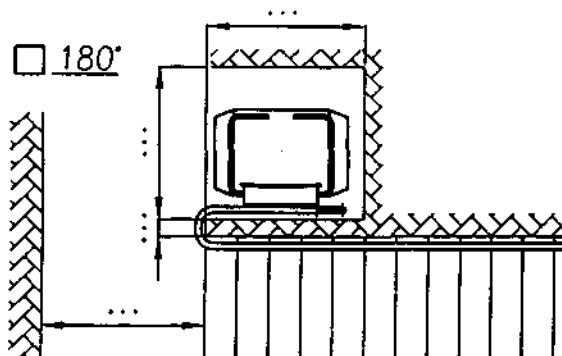
Straight



90°



180°



Attention:

Choose the Traction group type and the required Lower Parking.

Fill with the requested measurements.

Please give always the position and the distance of the El. panel board from the traction group.

